

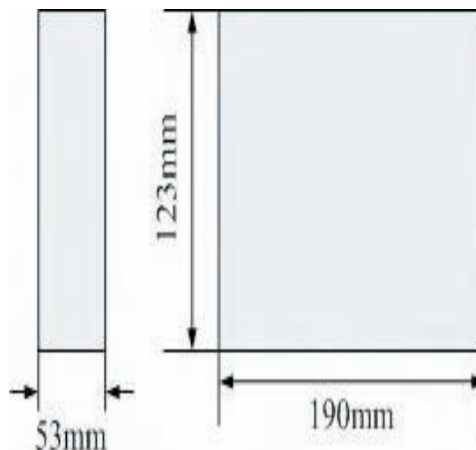


## LED full color controller DMX300

### General Introduction:

DMX300 is a full-color LED control system which focuses on indoor and outdoor decorative lighting. It comprises scene-edit software and CTL controller. You can edit various lighting effects by downloading the programme which edit according to your special requirement from your PC. This control system can fulfill 256 grey levels for each R,G,B color, totally 16.77 million real full-color. With the wireless remote controller, you can achieve the mode change and speed adjustment very conveniently. There are 30 modes and 8 levels of speed you can choose, and with the pause function, you can keep the fixed color optionally.

### Dimension Diagram



### Features

- Meets DMX512(1990)
- Digital screen shows current status
- Wireless remote controller
- 256 levels of grey, totally 16.77 million colors, really full color
- Various modes with Pause function
- Eight different speed level
- Automatic parameter memory
- Various output interface, XLR-3 Male & Female, RJ45
- Convenient for wiring and installation
- Good function at anti-jamming and auto-resumption.

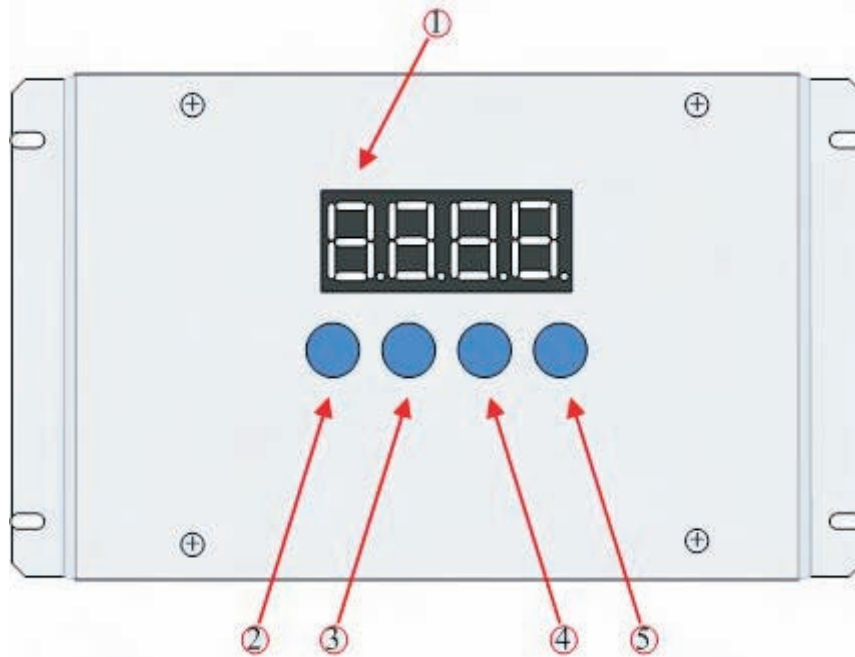
### Technical Parameter

Input Voltage:	12VDC (Include 220/110VAC to 12VDC(Power adaptor)
Power Consumption:	< 5W
Memory:	32KB
Output channel:	1 port
Transmission interface:	DMX512 (1990)
Transmission speed:	250Kbps
Pixels:	50 pixels, 170 pixels max.
Lamp type can be controlled:	Wallwashing light, Tube light, Cube light, Underground...
Control mode:	Asynchronous full-color control
Remote distance:	50M
Description:	Fixed 30 modes, ,such as flash, fade,streamy,chase, etc.

### Package

Size:	190(mm)*123(mm)*53(mm)
G.W.:	1 KG
N.W.:	0.8 KG

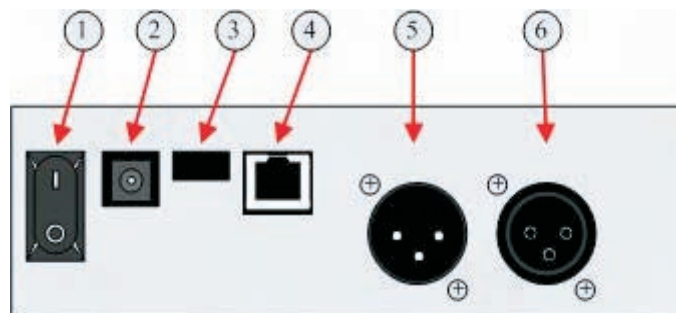
## DMX300 Top Panel Instruction



- ① Digital screen (First two numbers indicate the mode(01-16),the fourth number indicates the speed(1-8))
- ② MODE: Change mode by pressing this button
- ③ PAUSE: Keep the fixed color by pressing this button
- ④ SPEED+: Speed up by pressing this button
- ⑤ SPEED-: Speed down by pressing this button

Remark: When you press the button ②MODE, the first two numbers of digital screen will show the mode number 01-16. When you press the button ③PAUSE, the whole screen will show "P" only. You can return to the previous mode by pressing ③PAUSE again. The fourth number in the digital screen will show you the speed level, from 1 to 8 (fastest to slowest).

## Back Panel Instruction

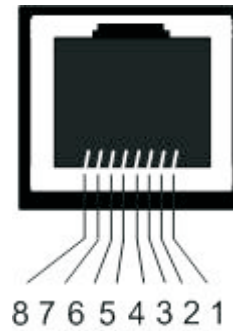


- ① Power On/Off
- ② 12VDC input interface
- ③ USB download interface
- ④ RJ45 Output
- ⑤ XLR 3 Male output interface
- ⑥ XLR 3 Female output interface

## DMX300 Output Interface Instruction

### 1. RJ45 output interface

- 1: DATA+
- 2: DATA-
- 3-6: NC
- 7-8: GND



### 2. XLR 3 output interface

- 1: GND
- 2: DATA-
- 3: DATA+



### Button Function of Remote Controller

**A-Mode:** Change mode by pressing this button

**B-Pause:** Keep the fixed color by pressing this button  
Press it again to keep changing

**C-Speed+:** Speed up by pressing this button  
(default: Fastest speed level 1)

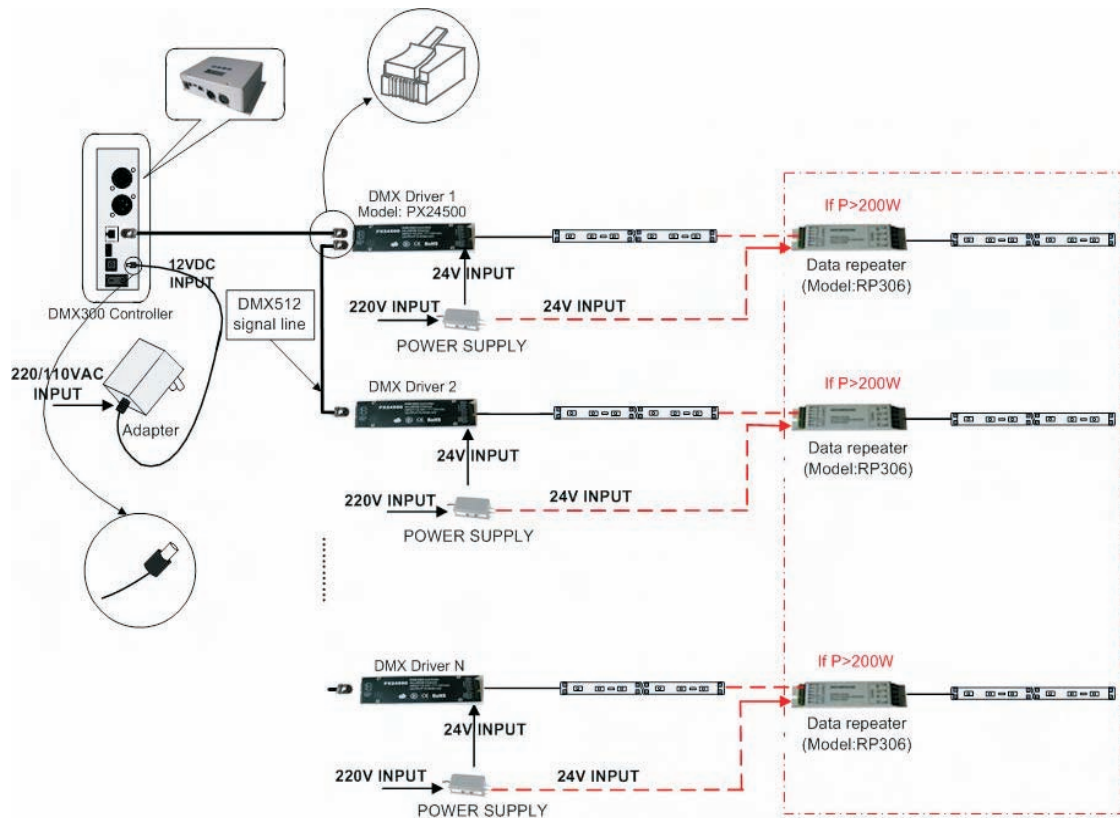
**D-Speed-:** Speed down by pressing this button

### DMX300 Mode Instruction

- |                             |                            |
|-----------------------------|----------------------------|
| Mode 1: Fixed Red           | Mode16: Six color flash    |
| Mode 2: Fixed Green         | Mode17: RGB flash          |
| Mode 3: Fixed Blue          | Mode18: RG flash           |
| Mode 4: Fixed Yellow        | Mode19: RB flash           |
| Mode 5: Fixed Light Blue    | Mode20: GB flash           |
| Mode 6: Fixed Purple        | Mode21: R flash            |
| Mode 7: Fixed White         | Mode22: G flash            |
| Mode 8: Seven color fade    | Mode23: B flash            |
| Mode 9: Full color fade     | Mode24: Seven color strobe |
| Mode 10: Rainbow changing   | Mode25: Six color strobe   |
| Mode 11: Water flowing      | Mode26: RGB strobe         |
| Mode 12: Tail Chase         | Mode27: RG strobe          |
| Mode 13: Color stack        | Mode28: RB strobe          |
| Mode 14: Chase(yellow,pink) | Mode29: GB strobe          |
| Mode 15: white flash        | Moede30: White strobe      |

Remark: As the first 6 modes are fixed color, so the Pause function doesn't work when you chose these.

### Wiring Diagram (1)



### Wiring Diagram (2)

